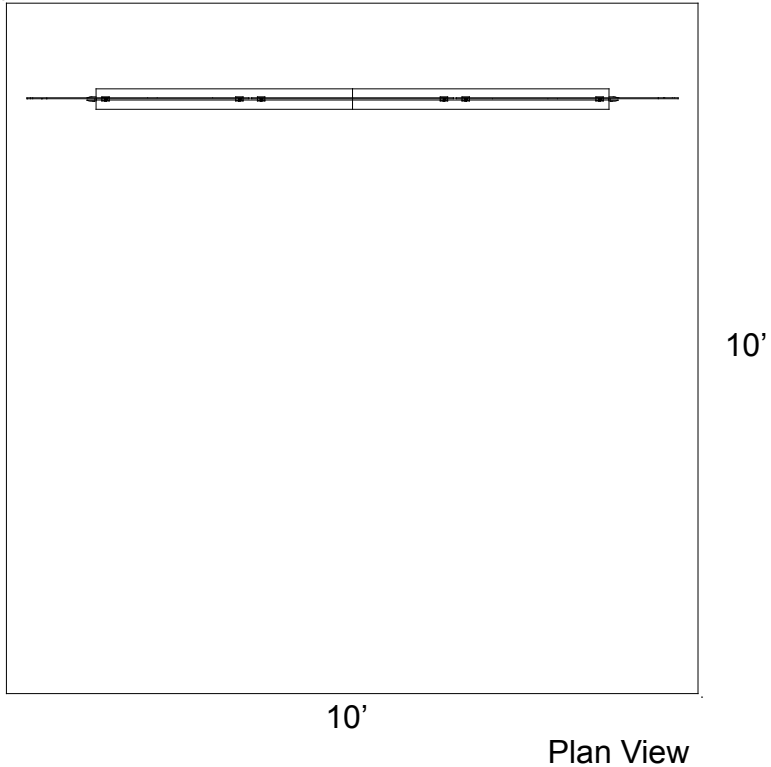
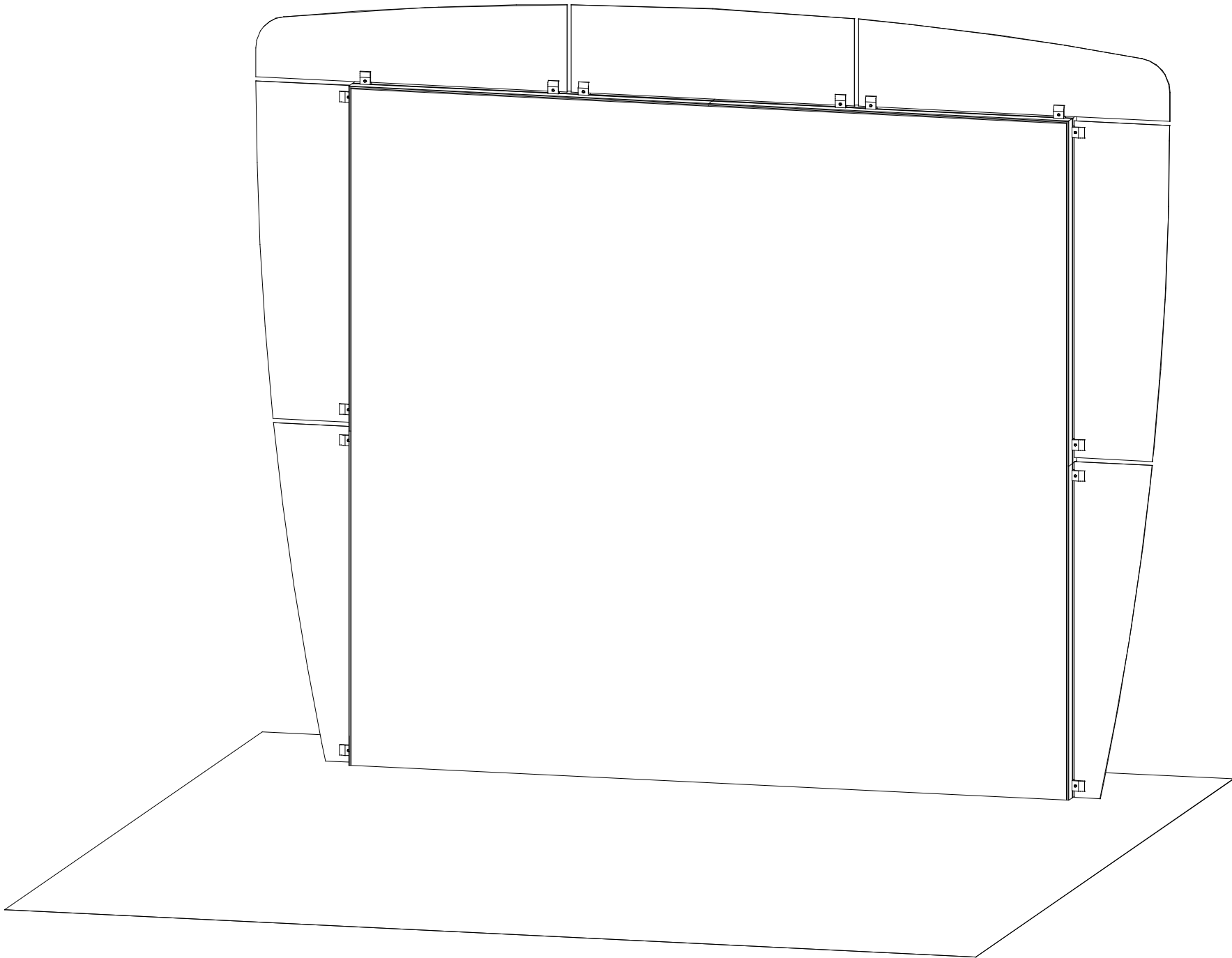


Order #50132 - ECO-1053 10'x10' Sustainable Exhibit



General Setup Instructions

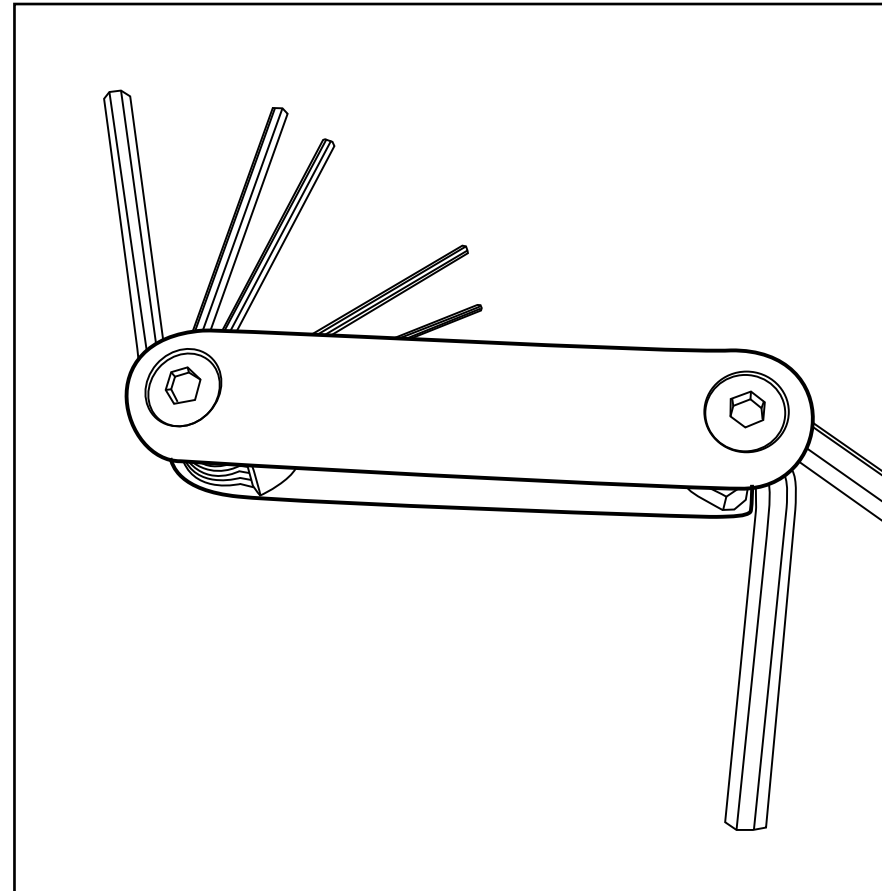
- The setup instructions are created specifically for your configuration.
- Setup instructions are laid out sequentially in levels, including exploded views and a logical series of steps for assembly. We encourage you to study the instructions before attempting to assemble your exhibit.

Cleaning and Packing

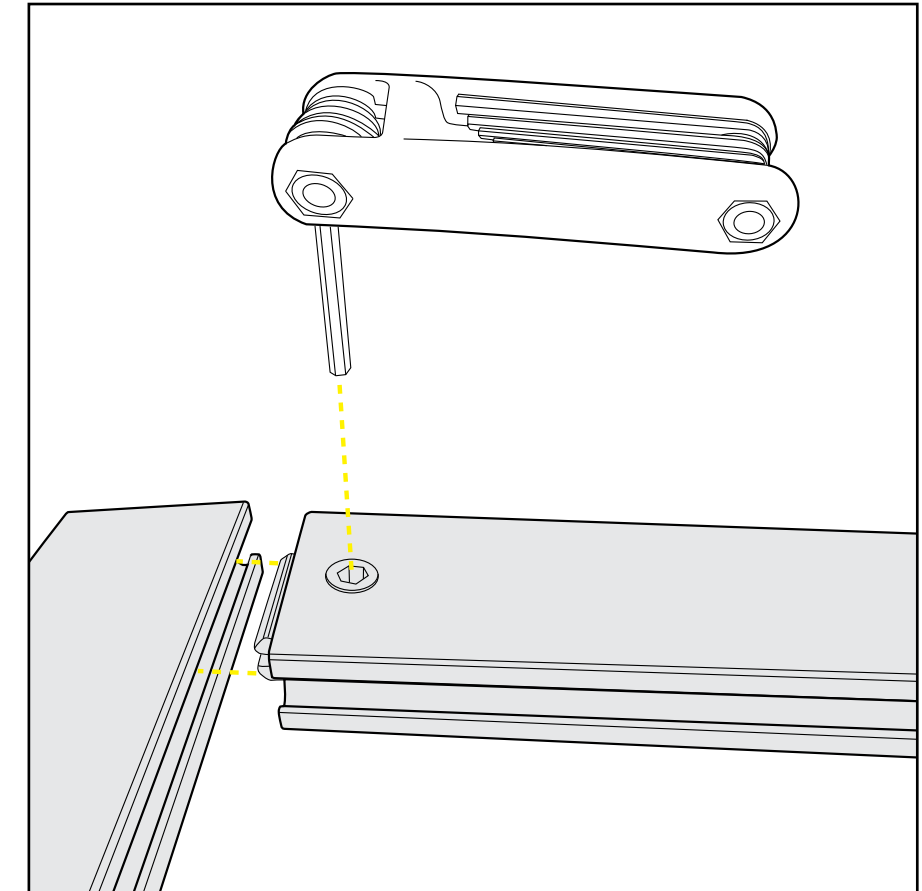
- Use non-abrasive cleaners when cleaning extrusions or ECO Glass inserts.
- Use mild cleaners and soft materials such as cotton to clean all laminates.
- Keep exhibit components away from extreme heat and long exposure to sun light. This will prevent warping and fading.
- Retain all packing material for ease of re-packing. This protects the exhibit components and keeps each part organized.

Disassembling

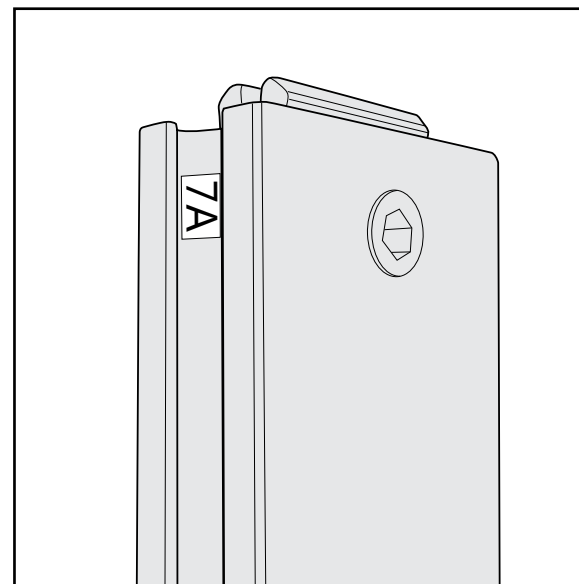
- When disassembling exhibit, tighten all setscrews to prevent loss of hardware in the shipping process.



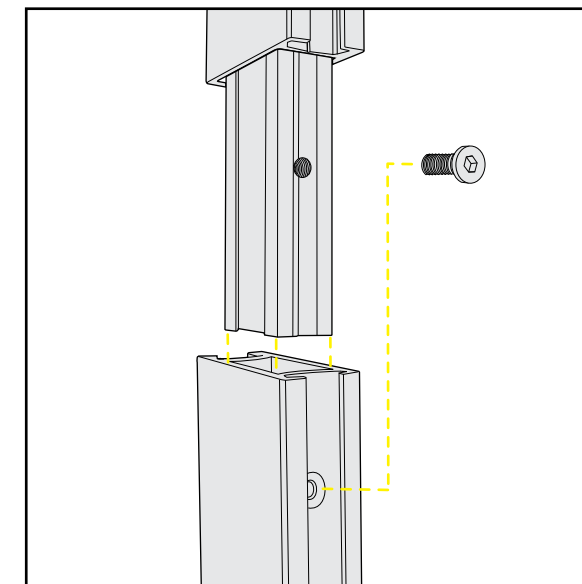
Hex Tool for Assembling Exhibit



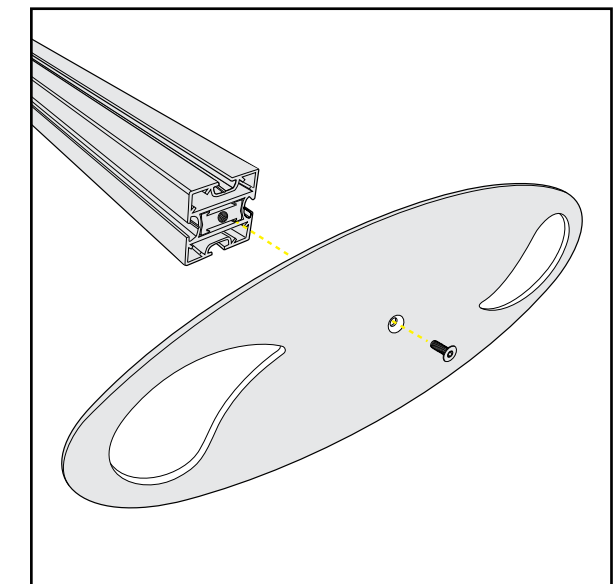
Extrusion Lock Connectors



Numbering Instructions for Setups/Packing



Inline Connection between Extrusions



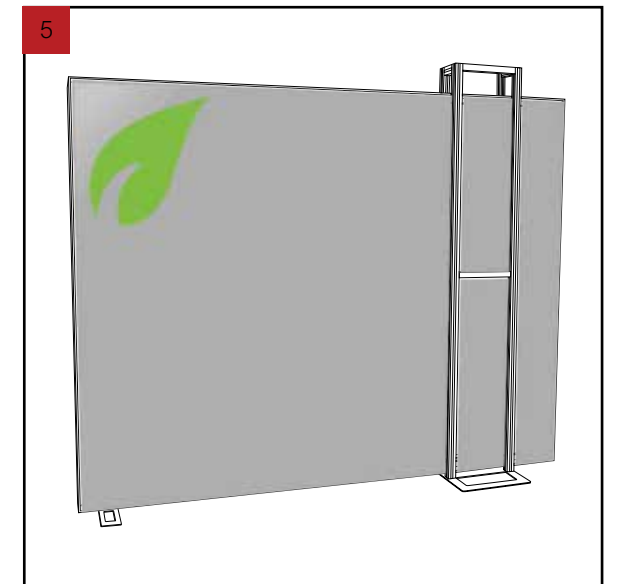
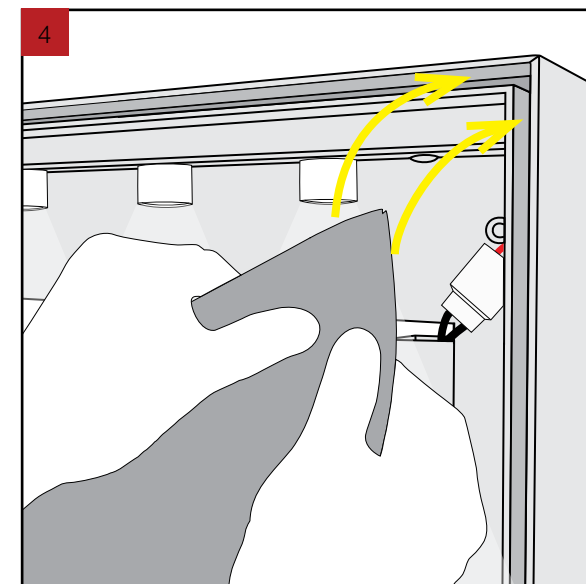
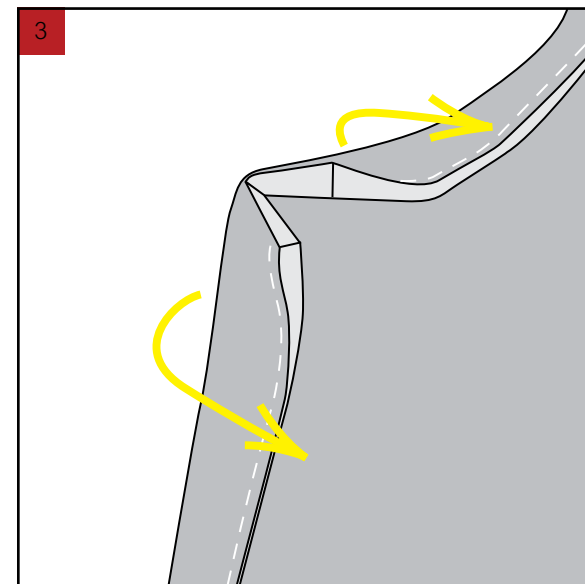
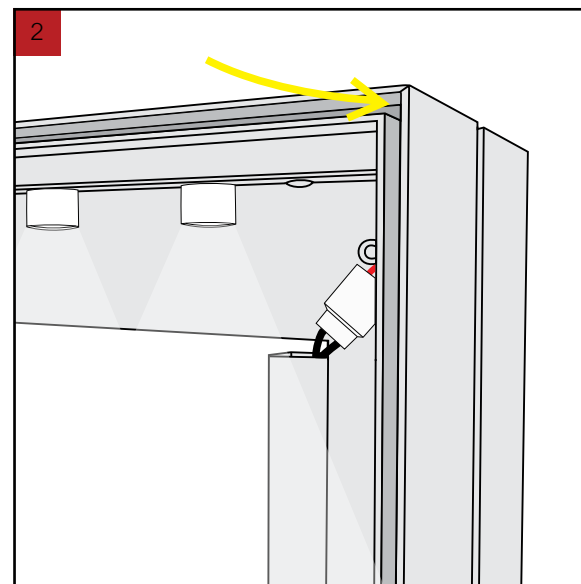
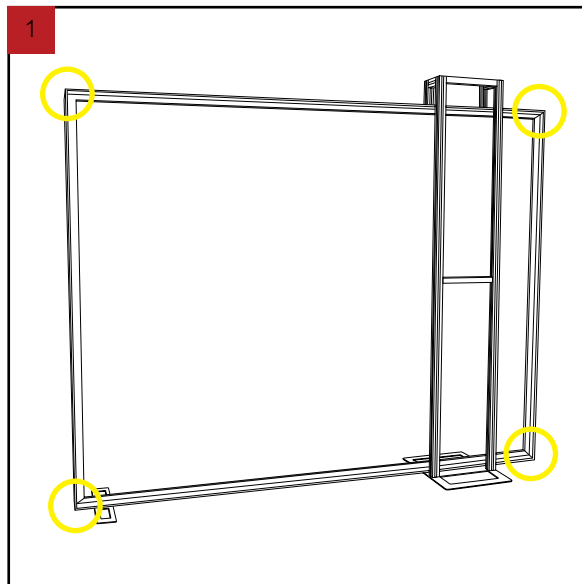
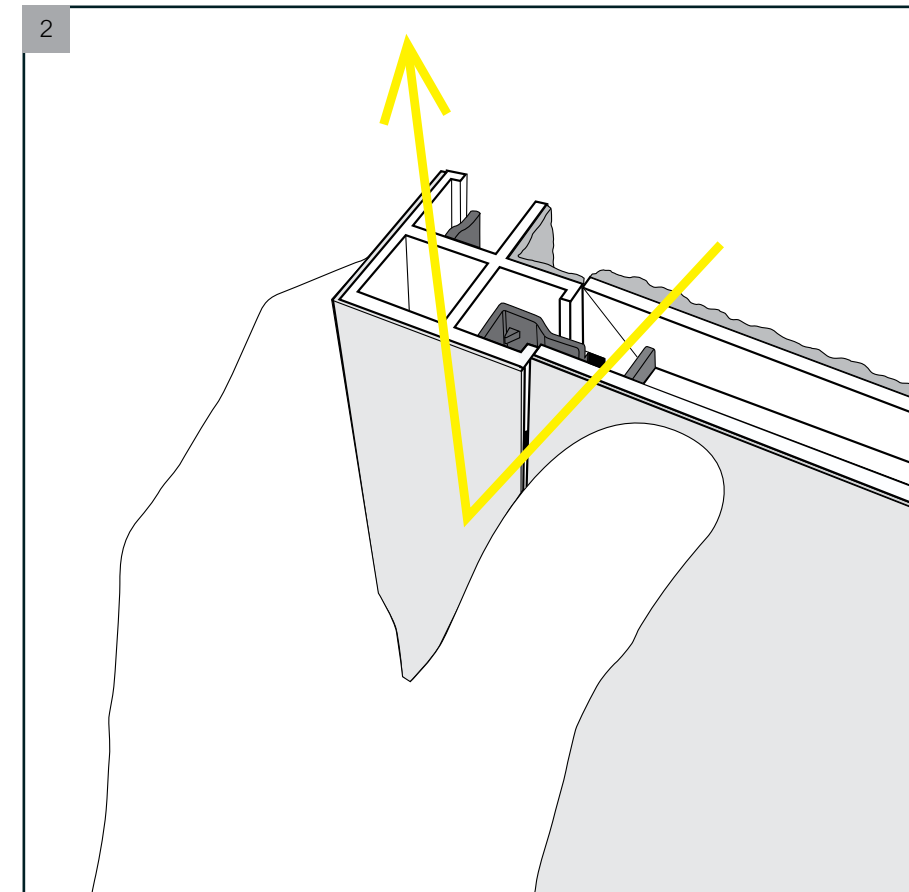
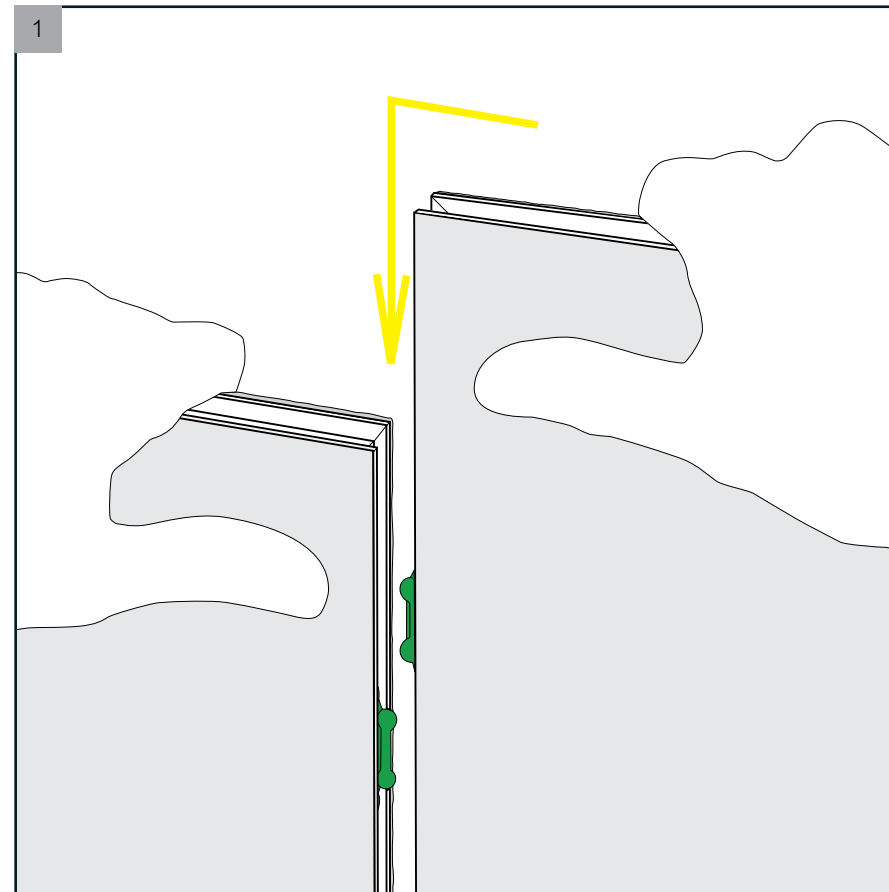
Baseplate Connection for Vertical Extrusions

ECO Panel Install

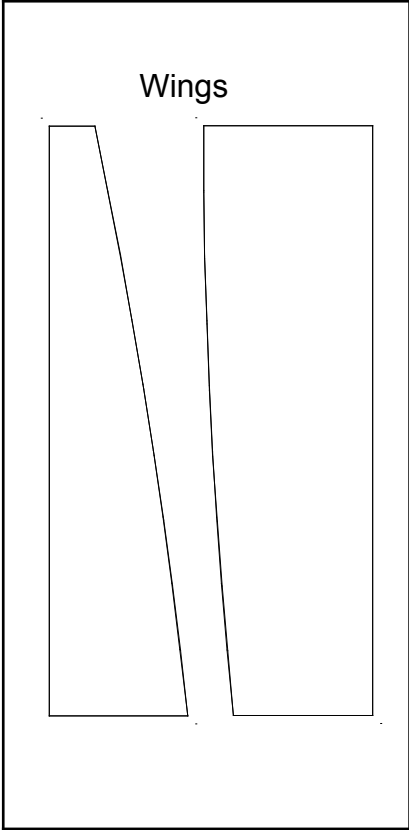
- 1 Place ECO panel together with a vertical offset, slide down to lock connector in place.
- 2 Panel Corner Connectors are installed just like ECO panels. Remove by off-setting top lock clips horizontally followed by separating vertically.

SEG Graphic Install

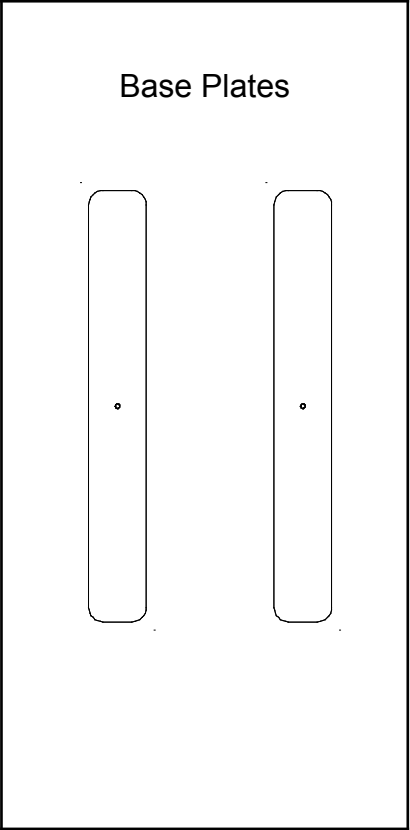
- 1 Graphic is installed corners first. This allows a proportional fit around the perimeter of the extrusion.
- 2 Locate channels along the edge of the extrusions.
- 3 Fold over graphic (hiding threads) and tuck silicon edge and fabric into corners.
- 4 After corners are complete, slide in the rest of the graphic into channel. (From edges to center)
- 5 Graphic is installed. Stand back and be amazed!



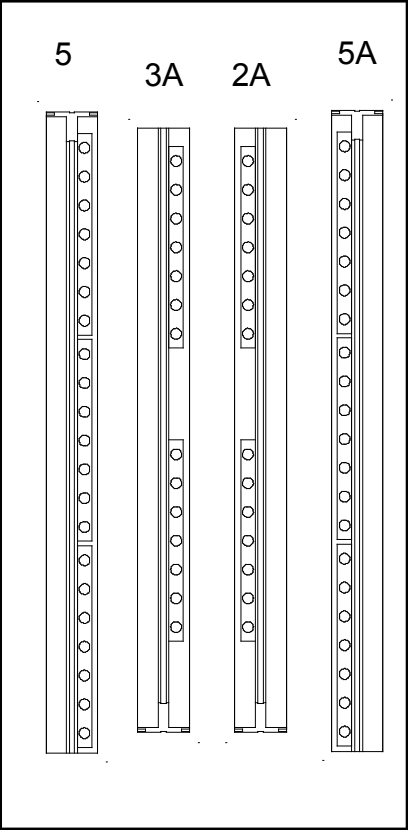
Top View of Each Level



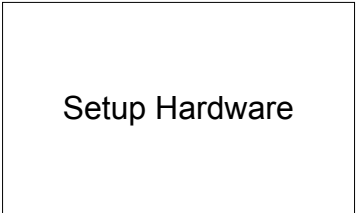
Level 1



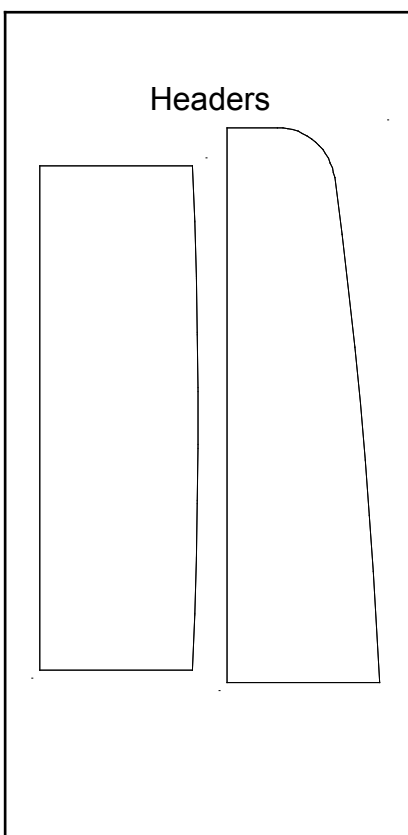
Level 2



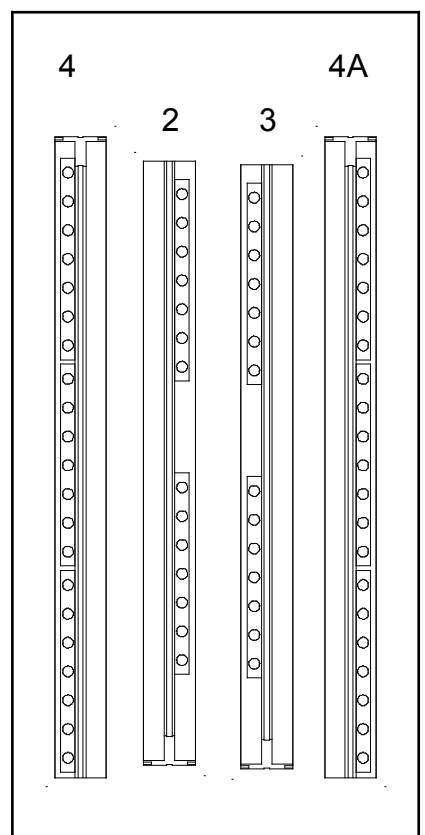
Level 3



Top View of Each Level



Level 1

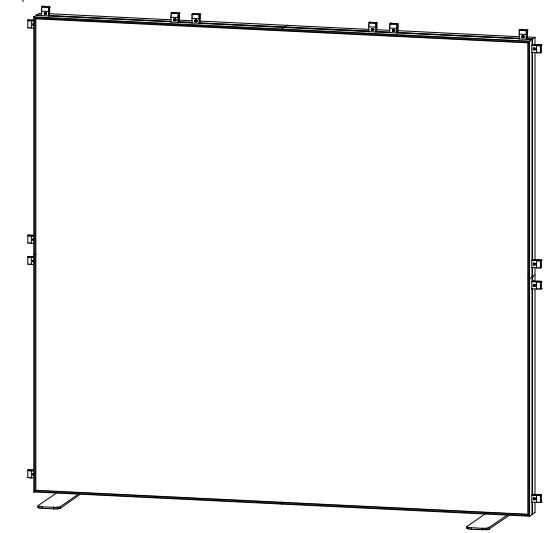


Level 2

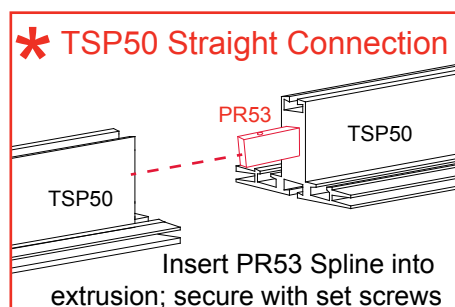
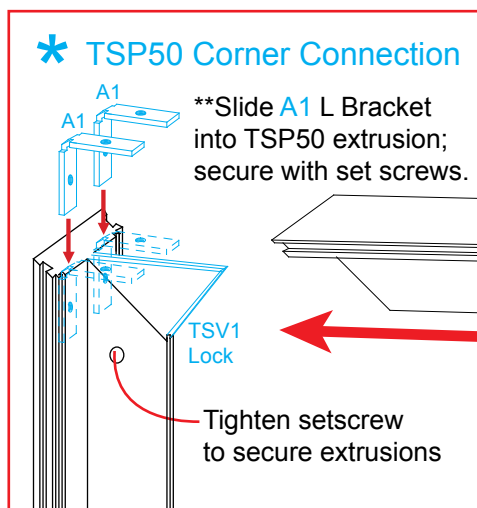
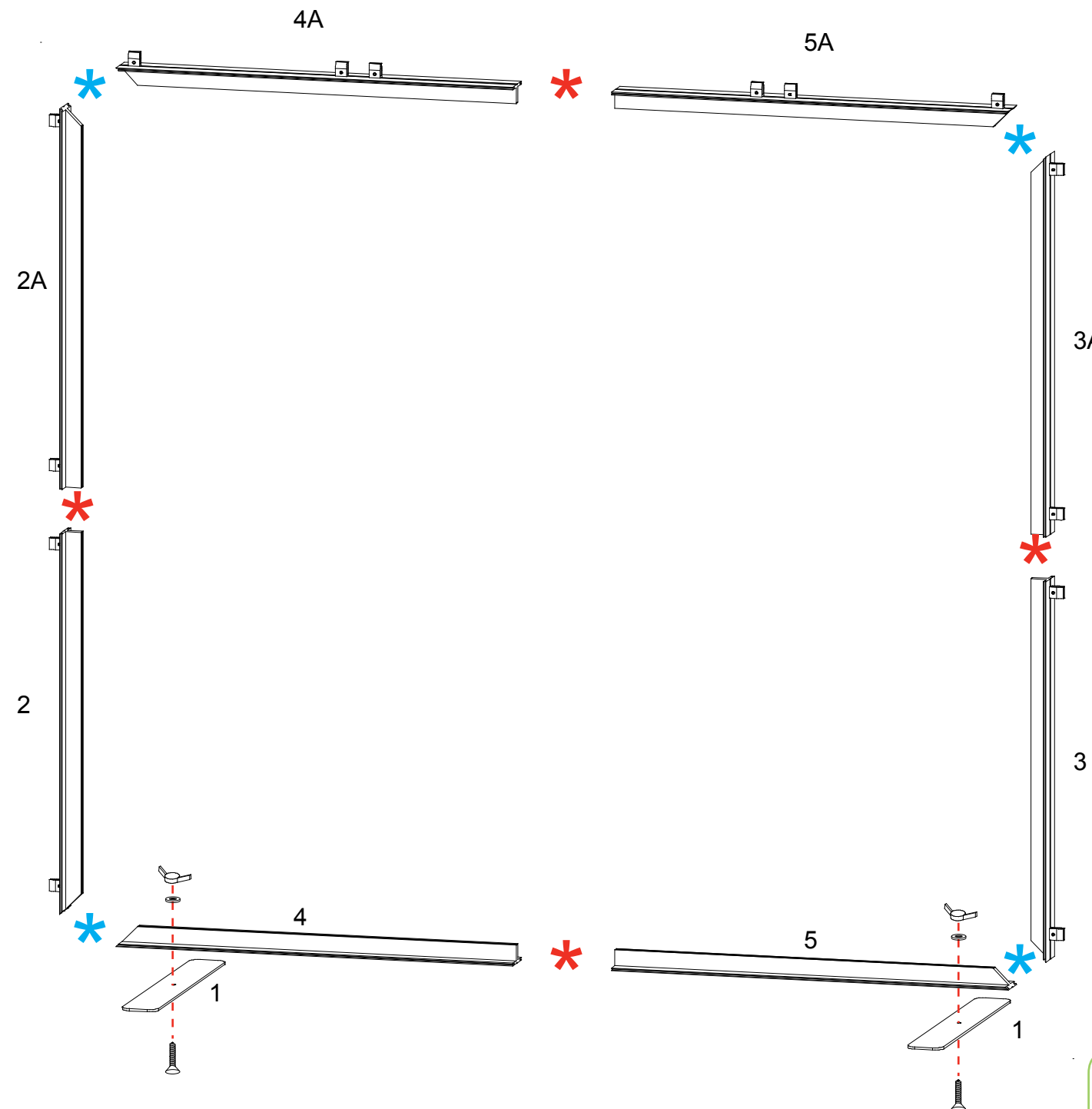
Item	Qty.	Description
1	2	Base Plate
2/2A	1/1	42" h TSP50 Vertical Extrusion
3/3A	1/1	42" h TSP50 Vertical Extrusion
4/4A	1/1	44.5" h TSP50 Horizontal Extrusion
5/5A	1/1	44.5" h TSP50 Horizontal Extrusion

Steps:

- 1) Install Base Plates [1] to lower horizontals [4,5] using bolts & wing nuts.
- 2) Attach verticals [2-2A], [3-3A] and horizontals [4-5] & [4A-5A] together. See **TSP50 Straight Connection** detail.
- 3) Connect horizontal assemblies [4/5] & [4A/5A] between vertical assemblies [2/2A] & [3/3A]. See **TSP50 Corner Connection** detail.



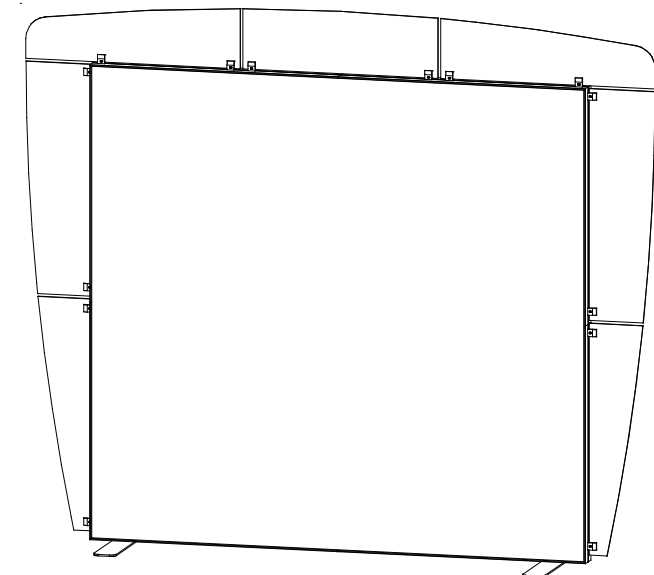
When assembled



Step 1

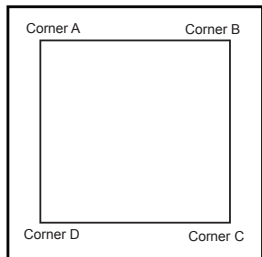
Steps:

- 1) Attach wings and headers to assembly using A10 clamps. See [A10 Clamp Attachment](#) detail.
- 1) Connect lighting power cords & transformers, as shown.
- 2) Apply SEG graphic to front of lightbox.
- 3) Apply SEG blocker to back of lightbox.



When assembled

SEG Graphic Installation



It is important to first insert graphic into each alternate corner then to the sides of the frame. If this is not done, graphic will not fit into the frame correctly.



Step 1
Insert corner A. Turn edge of graphic so silicon welt is perpendicular to face of graphic. Insert narrow side of welt with fabric to outside into the channel. Repeat for other side of this corner.



Step 2
Repeat Step 1 for opposite corner C, then insert corner B, followed by corner D, to complete the installation of the corners.

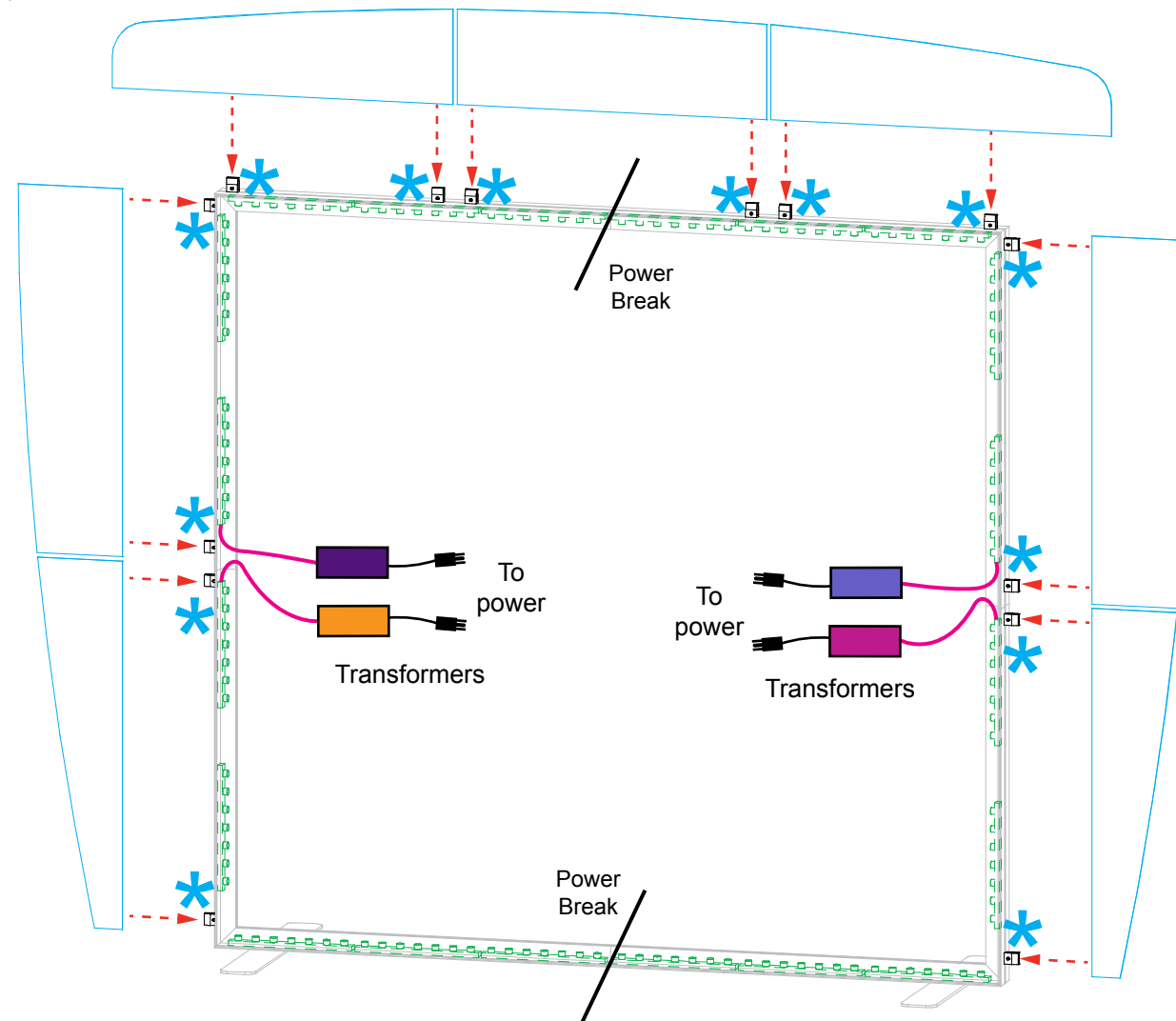
Graphic Removal



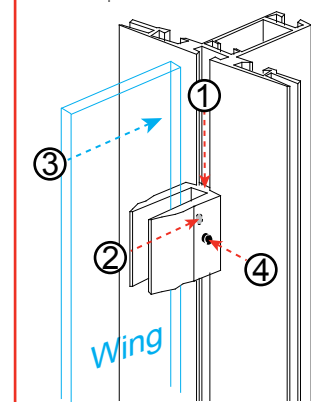
To remove the graphic from the frame, locate the fabric pull tab. Gently pull up on the tab to remove the fabric.



Step 3
Once all corners are inserted, press one silicon edge into channel from corners and work toward the center. Make sure welt is fully inserted into channel. Continue until all sides are done. Smooth out edges of graphic.

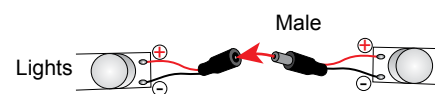


* A10 Clamp Attachment



- 1) Slide A10 connector into groove of extrusion.
- 2) Tighten set screw to secure A10 to extrusion.
- 3) Insert Wing into Clamp
- 4) Tighten knob to secure Wing in place.

Light to Light Attachment



Light to Transformer Attachment

